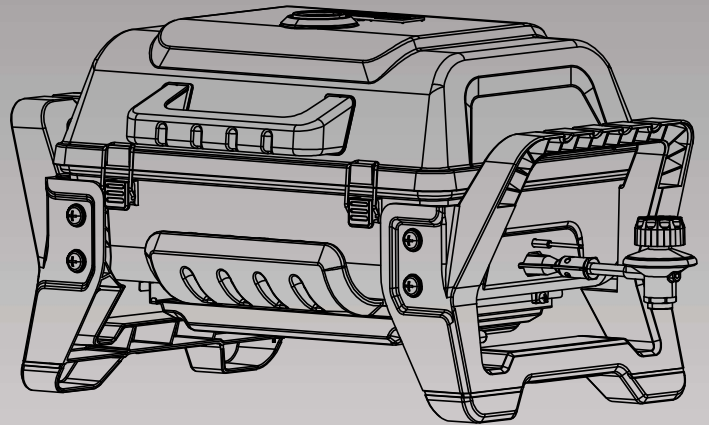




# GRILL2GO® X200 OUTDOOR BARBECUE

MODEL NUMBERS  
14402000



- (IE) (GB) Operating Instructions, 2-3
- (CH) (FR) Mode d'emploi, 4-5
- (AT) (CH) (DE) Betriebsanweisungen, 6-7
- (CH) (IT) Istruzioni per l'uso, 8-9
- (LU) (BE) (NL) Gebruiksaanwijzingen, 10-11
- (SE) Användning, 12-13
- (FI) Käyttöohjeet, 14-15
- (ES) Instrucciones de funcionamiento, 16-17
- (PT) Instruções para Operação, 18-19
- (DK) Brugsanvisning, 20-21
- (NO) Instruksjoner for bruk, 22-23
- (PL) Instrukcje obsługi, 24-25
- (IS) Notkunarlæðbeiningar, 26-27
- (RO) Manual de operatii, 28-29
- (CZ) Návod k obsluze, 30-31
- (SK) Návod na používanie, 32-33
- (HE) הוראות הפעלה 34-35

- Assembly Instructions, 36-38
- Instructions d'assemblage, 36-38
- Montageanweisungen, 36-38
- Istruzioni per il montaggio, 36-38
- Montage-instructies, 36-38
- Montering, 36-38
- Kokoamisohjeet, 36-38
- Instrucciones de armado, 36-38
- Instruções para Montagen, 36-38
- Monteringsvejledning, 36-38
- Montering, 36-38
- Instrukcje, 36-38
- Smalamálsskipana, 36-38
- Instrucțiuni de asamblare, 36-38
- Montážní návod, 36-38
- Návod na montáž, 36-38
- הוראות הרכבה 36-46



598 CP 441

## PARTS LIST

Key	Qty	Description
1	1	FIREBOX
2	1	LEFT, GREASE TRAY RAIL
3	1	RIGHT, GREASE TRAY RAIL
4	1	BURNER, W/ ELECTRODE
5	1	HEAT TENT
6	1	HEAT SHIELD
7	2	LATCH ASSEMBLY
8	1	WIND BARRIER
9	1	GREASE TRAY
10	1	LEG, LEFT
11	1	LEG, RIGHT
12	1	COOKING GRATE
13	1	LID
14	1	HANDLE
15	1	LOGO PLATE
16	1	TEMPERATURE GAUGE
17	1	LID HINGE HARDWARE
18	1	IGNITOR
19	1	GROUND CONNECTOR
20	1	REGULATOR

### NOT Pictured

...	1	GRATE CLEANING TOOL
...	1	PRODUCT GUIDE, EURO
...	1	BARBECUING GUIDE, ENGLISH
...	1	WARNING TAG EURO

# PARTS DIAGRAM

