



MODEL 473620408 • PRODUCT GUIDE



THIS GRILL IS FOR OUTDOOR USE ONLY.

⚠ CAUTION:

Read and follow all safety statements, assembly instructions, and use and care directions before attempting to assemble and cook.

INSTALLER/ASSEMBLER:

Leave this manual with consumer.

CONSUMER:

Keep this manual for future reference.

⚠ WARNING:

Failure to follow all manufacturer's instructions could result in serious personal injury and/or property damage.

⚠ CAUTION:

Some parts may contain sharp edges – especially as noted in the manual! Wear protective gloves if necessary.

If you have any questions or need assistance during assembly, please call 1-800-241-7548.

To insure your satisfaction and for follow-up service, register your grill online at www.grillregistration.com

PARTS LIST – Model No. 473620408

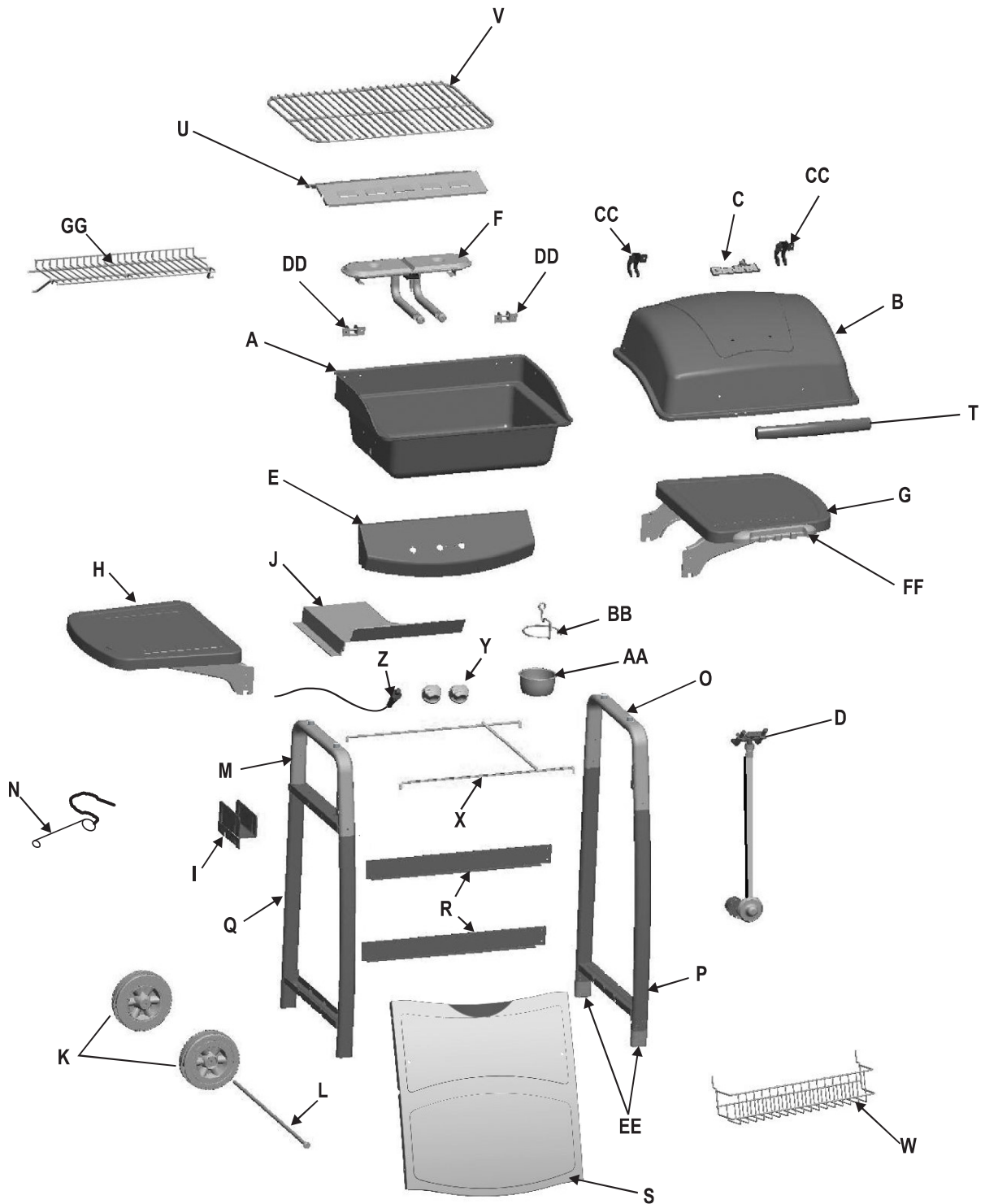
<u>Key</u>	<u>Qty</u>	<u>Description</u>	<u>Part #</u>	<u>Key</u>	<u>Qty</u>	<u>Description</u>	<u>Part #</u>
A	1	Firebox.....	80010015	AA	1	Grease Cup	80007940
B	1	Lid	80010016	BB	1	Clip, Grease Cup.....	80007939
C	1	Logo Plate	80009990	CC	2	Upper Hinge.....	80010011
D	1	Hose/Valve/Regulator	80012864	DD	2	Lower Hinge.....	80010010
E	1	Control Panel.....	80014243	EE	2	Leg Extenders	80008427
F	1	Burner Assembly	80010019	FF	1	Tool Holder.....	80010014
G	1	Side Shelf, Right	80014145	GG	1	Swing Away	80008389
H	1	Side Shelf, Left	80014146		1	Product Manual, English	80014242
I	1	Bracket, Tank Retainer	80010013		1	Hardware Pack	80008441
J	1	Heat Shield	80010031		1	Screwdriver	
K	2	Wheel.....	80008428		16	#10-24x1-1/4" Machine Screw	
L	1	Axle Rod	80009998		30	#10-24 Wing nut	
M	1	Cart Leg, Upper Left	80012877		12	#10-24x2" Machine Screw	
N	1	Match Holder	80010000		1	Wheel Bushing	
O	1	Cart Leg, Upper Right	80014147		16	#10-24x1/2" Machine Screw	
P	1	Cart Side, Right	80014148		2	#10-24x2-1/4" Machine Screw	
Q	1	Cart Side, Left	80014149		2	Flat Washer	
R	2	Back Brace	80010048		34	Fiber Washer	
S	1	Front Panel	80014247		4	#10-24 Flange Nut	
T	1	Handle	80010030		8	#10-24 Rectangular Nut	
U	1	Heat Tent	80008387		3	Hitch Pin	
V	1	Cooking Grate	80008388		2	Hinge Pin	
W	1	Condiment Basket, Wire	80008446		2	#8 Sheet Metal Screw	
X	1	Tank Exclusion wire.....	80008439				
Y	2	Control Knob	80007931				
Z	1	Ignitor.....	80010009				

Certified Grill Parts And Accessories®, Char-Broil and Design®, Char-Broil (Gas Grill Briquettes)®, Char-Diamonds®, Cooking Zone and Design®, Diamond Flame®, Executive Chef®, Faststart®, Flare Fighter®, FlavorMaster®, Gas Grill Silhouette and Design®, H2O Smoker®, Lava Flame®, MasterFlame®, MasterFlame Precision Cooking System®, PowerSpark®, Quantum®, VIP®, PrecisionFlame and Design®, Sierra®, and TruFlame® are registered Trademarks of the W.C. Bradley Company. Thermos® is a registered trademark of the Thermos Company and its affiliates.

Artisan Collection by Char-Broil™, C3 and Design™, Char-Broil and Design™, Flame Design™, FlavorTents™, Grill 2 Go™, Grillin' Stick™, Keeper of the Flame™, Keepers of the Flame™, Natural Grip™, Outdoor Cooking Collection and Design™, Patio Bistro™, PrecisionFlame™, Pro-Check™, QuickSet Grills and Design™, SmokerTents™, The Big Easy™, The Minute Grill™, The Edge™, The Tuscan Collection™, and The Urban Grill™ are Trademarks of the W.C. Bradley Company. Universal Grill Parts and Design™ is a trademark of the Thermos Company and its affiliates.

Protected under one or more of the following U.S. Patents: 4,598,692; 4,624,240; 4,747,391; 4,747,391; 4,817,583; 4,924,846; 4,989,579; 5,003,960; 5,076,256; 5,076,257; 5,090,398; 5,109,834; 5,224,676; 5,277,106; 5,421,319; 5,441,226; 5,452,707; 5,458,309; 5,566,606; 5,566,606; 5,579,755; 5,582,094; 5,613,486; 5,649,475; 5,706,797; 5,711,663; 5,765,543; 5,931,149; 5,996,573; 6,095,132; 6,135,104; 6,173,644B1; 6,279,566; 6,397,731; 6,418,923; 6,439,222; 6,523,461; 6,935,327; D282,619; D339,714; D341,292; D343,337; D358,059; D361,466; D364,535; D372,637; D373,701; D377,735; D383,035; D397,910; D405,643; D405,643; D406,005; D406,009; D413,043; D413,229; D413,229; D414,982; D415,388; D416,164; D416,441; D416,441; D417,587; D422,516; D423,274; D423,876; D428,303; D435,396; D436,004; D438,059; D438,060; D438,427; D439,110; D442,505; D443,179; D443,354; D447,384; D447,385; D447,909; D448,610; D448,614; D448,615; D448,616; D448,975; D449,492; D451,759; D456,202S; D460,313; D461,359 and D504,048. Canada: 87743; 87744; 92607; 92608 and 1,316,424. Other Patents Pending. Assembly instructions © 2006.

PARTS DIAGRAM – Model No. 473620408



Estimated assembly time: 45 minutes.

NOTE: Some grill parts shown in the assembly steps may differ slightly in appearance from those on your particular grill model. However, the method of assembly remains the same.