

PERFORMANCE IR SERIES 3 BURNER

MODEL NUMBER

468130017

468140017

468230017

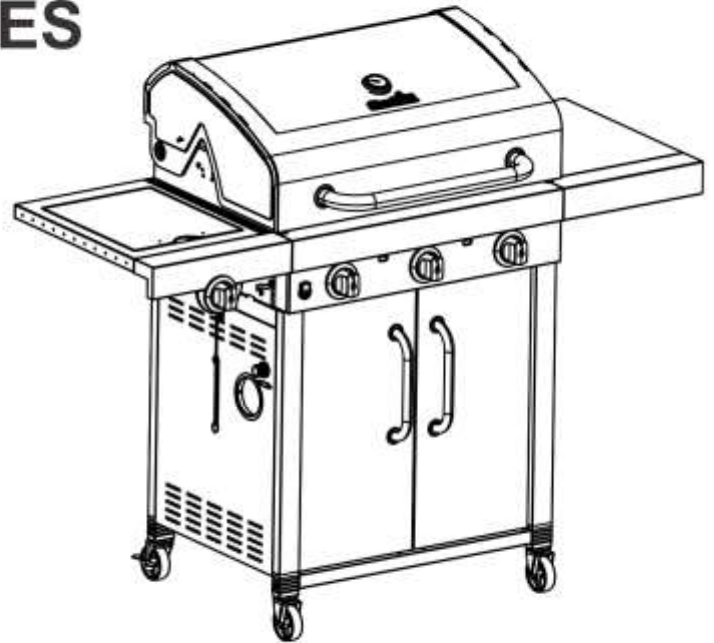
468240017

468230017UK

468240017UK

468230017DK

468240017DK



Operating Instructions, 2-6

Assembly Instructions, 80-93

GB

CH FR

LU AT CH DE

CH IT

LU BE NL

SE

FI

ES

PT

DK

NO

SK

IS

CZ

IL

Návod na používanie, 57-61

Notkunarlæðbeiningar, 62-66

Návod k obsluze, 67-71

Návod na montáž, 80-93

Smalamálsskipana, 80-93

Montážní návod, 80-93

| Key | Qty | Description |
|-----|-----|---|
| 1 | 1 | TOP LID |
| 2 | 1 | TEMPERATURE GAUGE |
| 3 | 1 | BEZEL, F/ TEMP GAUGE |
| 4 | 1 | LOGO PLATE |
| 5 | 1 | HANDLE, TOP LID |
| 6 | 1 | HARDWARE F/ TOP LID ASSEMBLY |
| 7 | 4 | RUBBER BUMPER, W/ HOLE, F/ TOP LID |
| 8 | 1 | FIREBOX |
| 9 | 1 | HOSE VALVE ASSEMBLY |
| 10 | 3 | MAIN BURNER |
| 11 | 2 | ELECTRODE SET, F/ MAIN BURNER, 500MM WIRE |
| 12 | 1 | ELECTRODE SET, F/ MAIN BURNER, 600MM WIRE |
| 13 | 2 | CARRYOVER TUBE |
| 14 | 1 | MAIN CONTROL PANEL |
| 15 | 1 | IGNITER SWITCH MODULE |
| 16 | 4 | CONTROL KNOB |
| 17 | 4 | BEZEL F/ CONTROL KNOB |
| 18 | 1 | MATCH HOLDER |
| 19 | 1 | SWINGAWAY RACK |
| 20 | 3 | HEAT TENT |
| 21 | 3 | COOKING GRATE |
| 22 | 1 | CART SIDE PANEL, LEFT |
| 23 | 1 | BOTTOM SHELF |
| 24 | 2 | CASTER, LOCKING |
| 25 | 2 | CASTER, FIXED |
| 26 | 2 | LEG CAP |

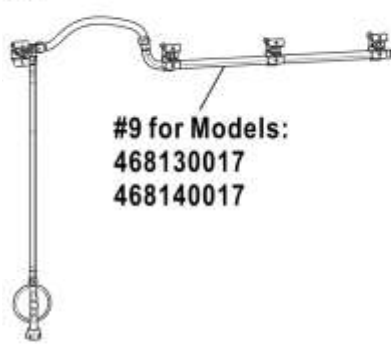
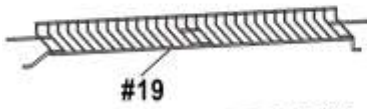
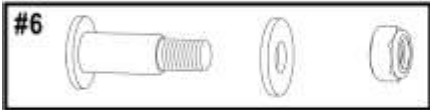
| Key | Qty | Description |
|---------------------|-----|------------------------------------|
| 33 | 1 | FASCIA, UPPER, F/ HOT PLATE SHELF |
| 34 | 1 | FASCIA, LOWER, F/ HOT PLATE SHELF |
| 35 | 1 | HOT PLATE |
| 36 | 1 | ELECTRODE, F/ HOT PLATE |
| 37 | 1 | FRONT DOOR BRACE |
| 38 | 1 | LEFT DOOR |
| 39 | 1 | RIGHT DOOR |
| 40 | 2 | HANDLE, F/ DOOR |
| 41 | 1 | REAR CART PANEL |
| 42 | 1 | CART SIDE PANEL, RIGHT |
| 43 | 1 | ELECTRONIC IGNITION MODULE |
| 44 | 1 | CAP, F/ ELECTRONIC IGNITION MODULE |
| 45 | 1 | IGNITOR WIRE, F/ HOT PLATE |
| 46 | 1 | GRATE, F/ HOT PLATE |
| 47 | 1 | GREASE CUP |
| 48 | 1 | GREASE CLIP |
| 49 | 1 | HEAT SHIELD, F/ SWITCH MODULE |
| 50 | 1 | GROMMET |
| 51 | 2 | DOOR PIN, FIXED |
| 52 | 2 | DOOR PIN, SPRING |
| 53 | 3 | BURNER BRACE |
| 54 | 1 | HEAT SHIELD, F/ TANK, FIREBOX |
| | | |
| NOT Pictured | | |
| ... | 2 | MAGNET ASSEMBLY |

| | | |
|----|---|------------------------|
| 27 | 4 | LEG EXTENDER |
| 28 | 1 | RIGHT SIDE SHELF |
| 29 | 1 | FASCIA, F/ RIGHT SHELF |
| 30 | 1 | HOT PLATE SHELF |
| 31 | 1 | LID, F/ HOT PLATE |
| 32 | 1 | DRIP PAN, F/ HOT PLATE |

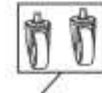
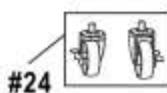
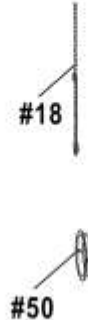
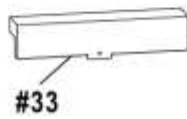
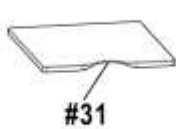
| | | |
|-----|---|-----------------------|
| ... | 1 | CASTER PIN |
| ... | 1 | HARDWARE PACK |
| ... | 1 | PRODUCT GUIDE, EUROPE |
| ... | 1 | IR CLEANING TOOL |
| ... | 1 | VENTURI CLIP F/ SB |

NOTE: Some grill parts shown in the assembly steps may differ slightly in appearance from those on your particular grill model. However, the method of assembly remains the same.

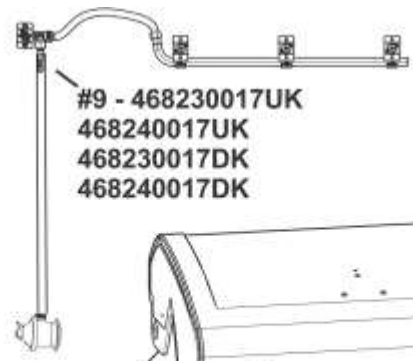
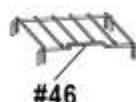
PARTS DIAGRAM



#9 for Models:
468130017
468140017



#9 for Models 468230017, 468240017



#9 - 468230017UK
468240017UK
468230017DK
468240017DK

