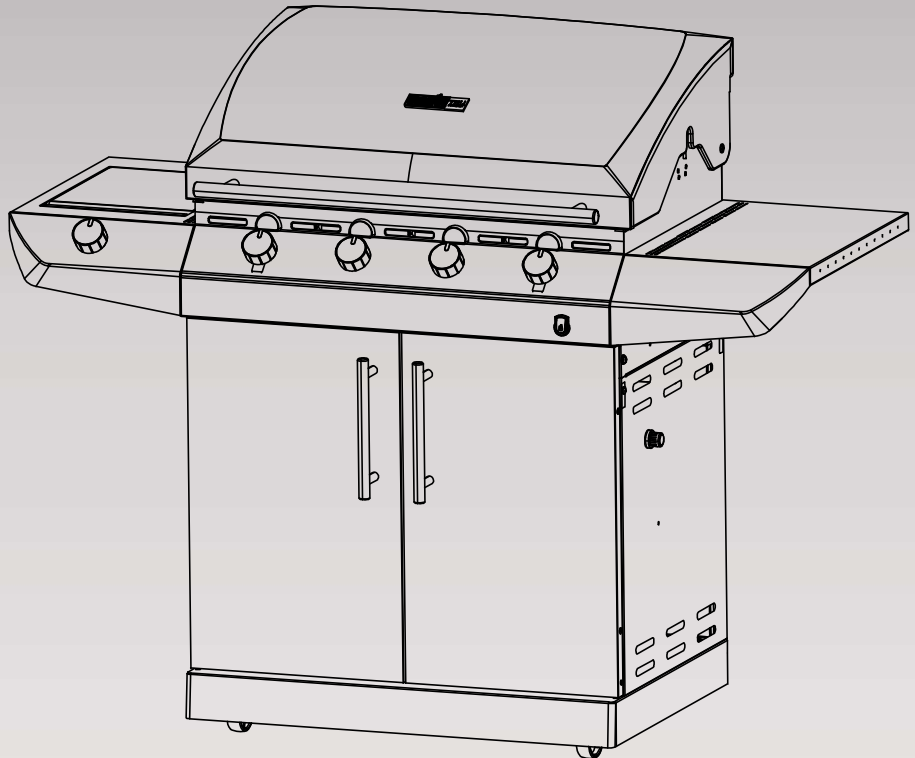




PERFORMANCE SERIES T-47G

MODEL NUMBER

468100513
468200513
468101513
468202513



- (IE) (GB) Assembly Instructions
- (CH) (FR) Instructions d'assemblage
- (AT) (CH) (DE) Montageanweisungen
- (CH) (IT) Istruzioni per il montaggio
- (LU) (BE) (NL) Montage-instructies
- (SE) Montering
- (FI) Kokoamisohjeet
- (ES) Instrucciones de armado
- (PT) Instruções para Montagen
- (DK) Monteringsvejledning
- (NO) IMontering
- Instrukcje
- (IS) Smalamálsskipana
- (RO) Instrucțiuni de asamblare
- (CZ) Montážní návod



598 CN 363

PARTS LIST

Key	Qty	Description
1	1	BOTTOM SHELF
2	2	CASTER, LOCKING
3	2	CASTER, FIXED
4	1	CART LEFT SIDE PANEL
5	1	GROMMET, F/ REGULATOR HOLE
6	1	CART RIGHT SIDE PANEL
7	1	CART LOWER BACK PANEL
8	1	FRONT BRACE
9	1	HEAT SHIELD, F/ TANK
10	1	LEFT RAIL, F/ GREASE TRAY
11	1	RIGHT RAIL, F/ GREASE TRAY
12	1	FIREBOX
13	1	MATCH HOLDER
14	4	MAIN BURNER
15	2	ELECTRODE, F/ MAIN BURNER, LONG WIRE
16	2	ELECTRODE, F/ MAIN BURNER, SHORT WIRE
17	3	CARRYOVER TUBE W/ COTTER PIN
18	1	IGNITER SWITCH MODULE
19	1	VALVE ASSEMBY
20	1	MAIN CONTROL PANEL
21	1	ELECTRONIC IGNITION MODULE
22	1	CAP, F/ ELECTRONIC IGNITION MODULE
23	1	ELECTRODE WIRE, F/ SIDEBURNER
24	5	CONTROL KNOB
25	4	TEMPERATURE GAUGE, UFC MOUNTED
26	1	CART UPPER BACK PANEL
27	1	LEFT SIDE SHELF F/ S/B
28	1	FASCIA, F/LEFT SIDE SHELF
29	1	DRIP PAN, F/ SB
30	4	RUBBER BUMPER, F/ LID
31	1	LID, F/ SB
32	1	SIDEBURNER
33	1	ELECTRODE, F/ SB
34	1	RIGHT SIDE SHELF
35	1	FASCIA, F/ RIGHT SIDE SHELF
36	1	TOP LID
37	1	HANDLE F/ TOP LID
38	2	RECTANGULAR BUMPER, F/ TOP LID
39	1	LOGO PLATE
40	1	HARDWARE F/ TOP LID
41	1	LEFT DOOR, NO HANDLE
42	2	DOOR HANDLE

Key	Qty	Description
43	1	RIGHT DOOR, NO HANDLE
44	4	FLAME TAMER
45	4	COOKING GRATE
46	1	GRATE, F/ SB
47	1	WARMING RACK
48	1	GREASE TRAY
49	4	COOKING GRATE, INFRARED EMITTER
50	1	REGULATOR (COUNTRY SPECIFIC, IF SUPPLIED)

NOT Pictured

...	2	DOOR MAGNET
...	1	CASTER PIN
...	1	HARDWARE PACK
...	1	ASSEMBLY MANUAL, EUROPEAN
...	1	OPERATION MANUAL, EUROPEAN
...	1	IR CLEANING TOOL

NOTE: Some grill parts shown in the assembly steps may differ slightly in appearance from those on your particular grill model. However, the method of assembly remains the same.

PARTS DIAGRAM

