

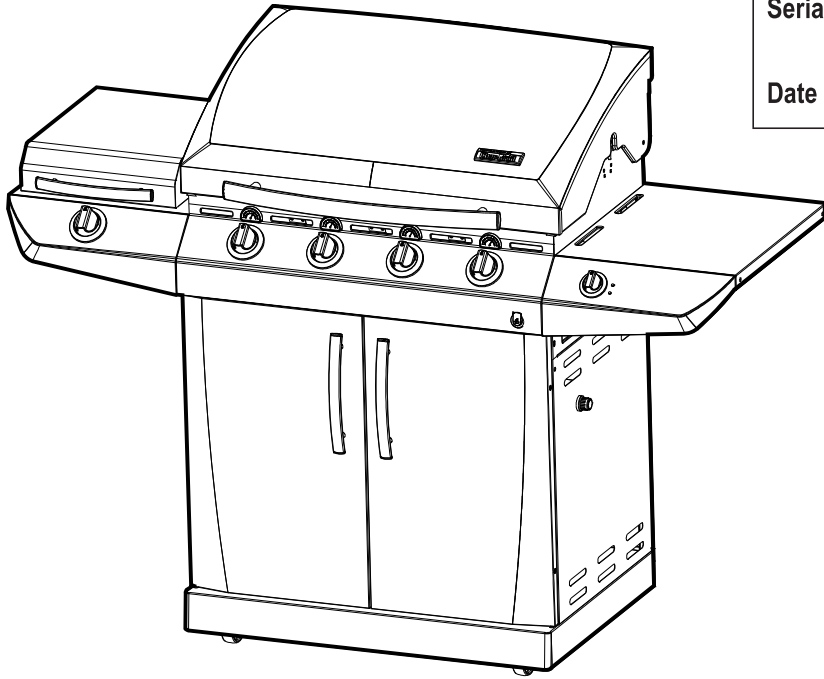


**PRODUCT GUIDE
MODEL 463271311**

IMPORTANT: Fill out the product record information below.

Serial Number _____
See rating label on grill for serial number.

Date Purchased _____



For support and to register your grill, please visit us at www.charbroil.com

If you have questions or need assistance during assembly, please call **1-888-430-7870**.



CONVERSION-READY

Easily converts from (LP) liquid propane to (NG) natural gas

Visit the grill accessory aisle for a complete kit.

Estimated assembly time: 30 minutes

The following are trademarks registered by W.C. Bradley Co. in the U.S. Patent and Trademark Office: Caldera®; Charcoal2Go®; Char-Broil®; American Gourmet®; Bandera®; Brush Hawg®; CB 940®; Char-Diamonds®; Char-Broil Charcoal/Gas®; Everybody Grills®; Grill 2 Go®; Grill 2 Go® Express®; Grill Lovers®; Infrared Grilling That's All About U®; Keepers of the Flame®; Magneto®; New Braunfels Smoker Company®; Patio Bistro®; Patio Caddie®; Patio Kitchen®; Pro-Sear®; RED®; Quantum®; Santa Fe®; Sear and Grill®; Sierra®; Signature Series®; Sure2Burn®; The Big Easy®; U®; Wild West Tradition®; and the following marks:



The following are trademarks of W.C. Bradley Co.: America's Legendary Barbeque Company™; Advantage Series™; Auto-Clean™; Chef Tested™; Commercial Series™; Designer Series™; Diamond Flame™; Double Chef™; Everybody Outside™; FastStart™; FlavorMaster™; Front Avenue™; Grill 2 Go® Advantage™; Grill 2 Go® Ice™; Hog and Yard Bird™; H2O Smoker™; Infrared. Grilling's Juicy Little Secret™; Incredible Taste. Infallible Results™; Infrared Inside™; Let's Grill Something Together™; Longhorn™; Precision Flame™; Quick2Burn™; QuickSet™; Ready When You Are™; Season, Set, And Savor™; Sizzle On The Grill™; SureFire™; Torchfork™; Trentino™; Universal Grill Parts™; You Bring the Party™ TEC™ is a trademark of Tec Infrared Grills.

PARTS LIST

Key	Qty	Description
A	1	BOTTOM SHELF
B	1	TANK SCREW, F/ BOTTOM SHELF
C	2	CASTER, LOCKING
D	2	CASTER, FIXED
E	1	CART LEFT SIDE PANEL
F	1	GROMMET, F/ REGULATOR HOLE
G	1	CART RIGHT SIDE PANEL
H	1	CART LOWER BACK PANEL
I	1	FRONT BRACE
J	1	HEAT SHIELD, F/ TANK
K	1	LEFT RAIL, F/ GREASE TRAY
L	1	RIGHT RAIL, F/ GREASE TRAY
M	1	FIREBOX
N	1	MATCH HOLDER
O	4	MAIN BURNER
P	2	ELECTRODE, F/ MAIN BURNER, LONG WIRE
Q	3	CARRYOVER TUBE W/ COTTER PIN
R	1	IGNITER SWITCH MODULE
S	1	HOSE VALVE REGULATOR ASSY
T	1	MAIN CONTROL PANEL
U	1	ELECTRONIC IGNITION MODULE
V	1	BUTTON, F/ EI MODULE
W	1	ELECTRODE WIRE, F/ SIDEBURNER
X	5	BEZEL, F/ CONTROL KNOB
Y	5	CONTROL KNOB
Z	4	TEMPERATURE GAUGE, UFC MOUNTED
AA	1	CART UPPER BACK PANEL
BB	1	LEFT SIDE SHELF F/ S/B
CC	1	FASCIA, F/LEFT SIDE SHELF
DD	1	DRIP PAN, F/ SB
EE	4	RUBBER BUMPER, F/ LID
FF	1	LID, F/ SB
GG	1	SIDEBURNER
HH	1	ELECTRODE, F/ SB
II	1	RIGHT SIDE SHELF
JJ	1	FASCIA, F/ RIGHT SIDE SHELF
KK	1	TOP LID, OUTER
LL	1	INNER LINER, F/ TOP LID
MM	1	HANDLE F/ TOP LID
NN	2	RECTANGULAR BUMPER, F/ TOP LID

Key	Qty	Description
OO	1	LOGO PLATE
PP	1	HARDWARE F/ TOP LID
QQ	1	LEFT DOOR, NO HANDLE
RR	3	DOOR AND SB HANDLE
SS	1	RIGHT DOOR, NO HANDLE
TT	4	FLAME TAMER
UU	4	COOKING GRATE
VV	4	TRAY F/ COOKING GRATE
WW	1	GRATE, F/ SB
XX	1	WARMING RACK
YY	1	GREASE TRAY
ZZ	1	TANK EXCLUSION, WIRE FRAME
AAA	2	HINGE ASSY, F/ SB LID
BBB	1	TANK RESTRICTION BAR
CCC	1	BEZEL, F/ AUTO CLEAN
DDD	1	KNOB, F/ AUTO CLEAN
EEE	2	ELECTRODE, F/ MAIN BURNER, SHORT WIRE

NOT Pictured

...	2	DOOR MAGNET
...	1	CASTER PIN
...	1	HARDWARE PACK
...	1	ASSEMBLY MANUAL, ENGLISH
...	1	CLEANING TOOL

NOTE: Some grill parts shown in the assembly steps may differ slightly in appearance from those on your particular grill model. However, the method of assembly remains the same.

PARTS DIAGRAM

PP

