



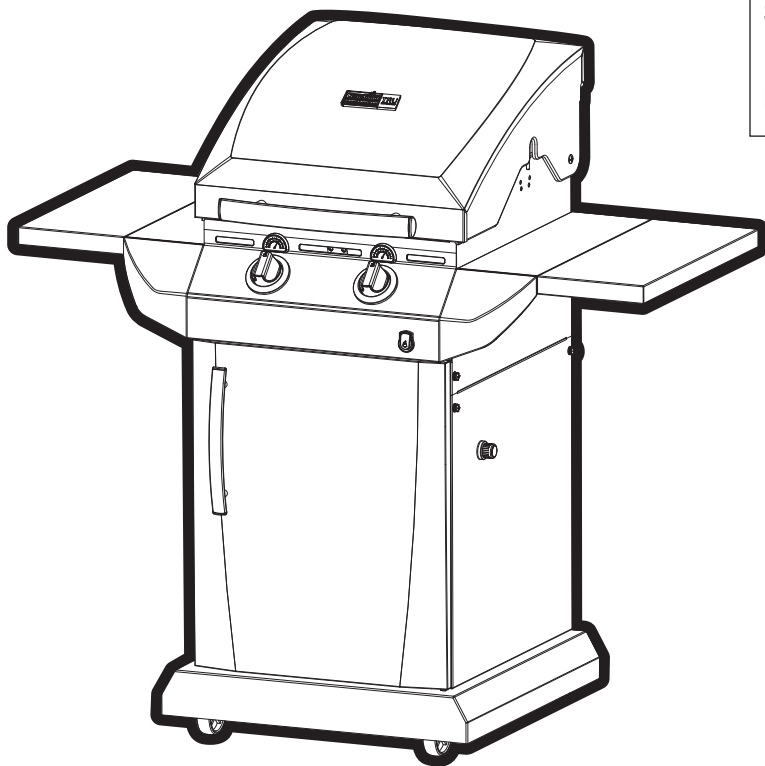
# PRODUCT GUIDE MODEL 463270612

## Char-Broil Performance T-22D

**IMPORTANT:** Fill out the product record information below.

Serial Number \_\_\_\_\_  
See rating label on grill for serial number.

Date Purchased \_\_\_\_\_



For support and to register your grill, please visit us at  
[www.charbroil.com](http://www.charbroil.com)

If you have questions or need assistance during assembly, please call **1-888-430-7870**.



### CONVERSION-READY

Easily converts from (LP) liquid propane to (NG) natural gas

Visit the grill accessory aisle for a complete kit.

## PARTS LIST

Key	Qty	Description
A	1	TOP LID, OUTER
B	1	HANDLE F/ TOP LID
C	1	LOGO PLATE
D	2	RUBBER BUMPER, RECTANGLE, F/ TOP LID
E	1	FIREBOX
F	2	COOKING GRATE
G	1	WARMING RACK
H	1	FLAME CARRYOVER TUBE W/ COTTER PIN
I	2	MAIN BURNER, F/ FIREBOX
J	2	FLAME TAMER
K	2	ELECTRODE, F/ MAIN BURNER, 600MM WIRE
L	2	SIDE SHELF, FIXED
M	2	SIDE SHELF, FOLDING
N	1	FASCIA, F/ LEFT SIDE SHELF
O	1	FASCIA, F/ RIGHT SIDE SHELF
P	1	MAIN CONTROL PANEL
Q	2	TEMPERATURE GAUGE, UFC MOUNTED
R	1	HOSE VALVE REGULATOR ASSY
S	1	MATCH HOLDER
T	2	BEZEL, F/ CONTROL KNOB
U	2	CONTROL KNOB
V	1	CART UPPER BACK PANEL
W	1	LEFT RAIL, F/ GREASE TRAY
X	1	RIGHT RAIL, F/ GREASE TRAY
Y	1	GREASE TRAY
Z	1	FRONT DOOR BRACE
AA	1	ELECTRONIC IGNITION MODULE
BB	1	BUTTON, F/ ELECTRONIC IGNITION MODULE
CC	1	IGNITER SWITCH MODULE
DD	1	DOOR, NO HANDLE
EE	1	DOOR HANDLE
FF	1	CART LEFT SIDE PANEL

Key	Qty	Description
GG	1	CART RIGHT SIDE PANEL
HH	1	BOTTOM SHELF
II	1	TANK SCREW, F/ BOTTOM SHELF
JJ	2	CASTER, LOCKING
KK	2	CASTER, FIXED
LL	1	HARDWARE F/ TOP LID ASSEMBLY
MM	2	RUBBER BUMPER, LID

### NOT Pictured

Key	Qty	Description
...	1	DOOR MAGNET
...	1	CASTER PIN
...	1	HARDWARE PACK
...	1	ASSEMBLY MANUAL, ENGLISH
...	1	CLEANING TOOL

**NOTE:** Some grill parts shown in the assembly steps may differ slightly in appearance from those on your particular grill model. However, the method of assembly remains the same.

# PARTS DIAGRAM

