

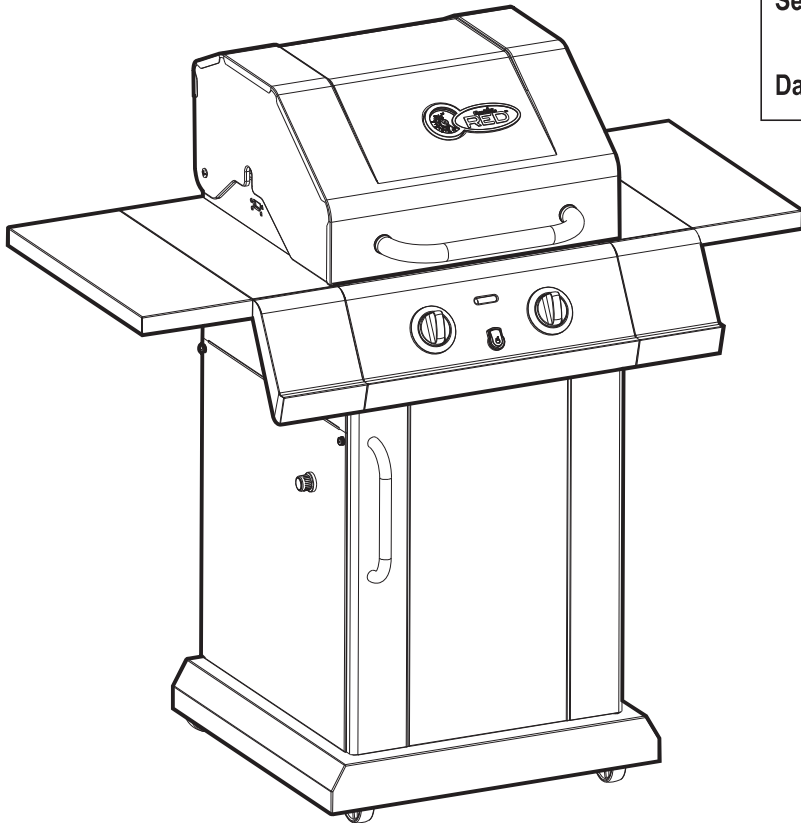


PRODUCT GUIDE MODEL 463250211

IMPORTANT: Fill out the product record information below.

Serial Number _____
See rating label on grill for serial number.

Date Purchased _____



For support and to register your grill, please visit us at www.charbroil.com

If you have questions or need assistance during assembly, Please call **1-888-430-7870**.

Estimated assembly time: 30-40 minutes

The following are trademarks registered by W.C. Bradley Co. in the U.S. Patent and Trademark Office: Caldera®; Charcoal2Go®; Char-Broil®; American Gourmet®; Bandera®; Brush Hawg®; CB 940®; Char-Diamonds®; Char-Broil Charcoal/Gas®; Everybody Grills®; Grill 2 Go®; Grill 2 Go® Express®; Grill Lovers®; Infrared Grilling That's All About U®; Keepers of the Flame®; Magneto®; New Braunfels Smoker Company®; Patio Bistro®; Patio Caddie®; Patio Kitchen®; Pro-Sear®; RED®; Quantum®; Santa Fe®; Sear and Grill®; Sierra®; Signature Series®; Sure2Burn®; The Big Easy®; U®; Wild West Tradition®; and the following marks:



The following are trademarks of W.C. Bradley Co.: America's Legendary Barbeque Company™; Advantage Series™; Auto-Clean™; Chef Tested™; Commercial Series™; Designer Series™; Diamond Flame™; Double Chef™; Everybody Outside™; FastStart™; FlavorMaster™; Front Avenue™; Grill 2 Go® Advantage™; Grill 2 Go® Ice™; Hog and Yard Bird™; H2O Smoker™; Infrared. Grilling's Juicy Little Secret™; Incredible Taste. Infallible Results™; Infrared Inside™; Let's Grill Something Together™; Longhorn™; Precision Flame™; Quick2Burn™; QuickSet™; Ready When You Are™; Season, Set, And Savor™; Sizzle On The Grill™; SureFire™; Torchfork™; Trentino™; Universal Grill Parts™; You Bring the Party™ TEC™ is a trademark of Tec Infrared Grills.

PARTS LIST

Key	Qty	Description
A	1	TOP LID, OUTER
B	1	INNER INSERT F/ TOP LID
C	2	BEZEL, F/ LID HANDLE
D	1	HANDLE F/ TOP LID
E	1	LOGO PLATE, TEMP GAUGE
F	2	RUBBER BUMPER, RECTANGLE, F/ TOP LID
G	1	FIREBOX
H	2	COOKING GRATE
I	1	WARMING RACK
J	2	MAIN BURNER, F/ FIREBOX
K	2	ELECTRODE W/ WIRE/COLLECTOR, F/ MAIN BURNER
L	1	CARRY OVER, F/ MAIN BURNER
M	2	SIDE SHELF, FIXED
N	2	SIDE SHELF, FOLDING
O	1	FASCIA, F/ LEFT SIDE SHELF
P	1	FASCIA, F/ RIGHT SIDE SHELF
Q	1	MAIN CONTROL PANEL
R	1	HOSE VALVE REGULATOR ASSY
S	1	MATCH HOLDER
T	2	BEZEL, F/ CONTROL KNOB
U	2	CONTROL KNOB
V	1	CART UPPER BACK PANEL
W	1	HEAT SHIELD, F/ TANK
X	1	FRONT DOOR BRACE
Y	1	ELECTRONIC IGNITION MODULE
Z	1	BUTTON, F/ ELECTRONIC IGNITION MODULE
AA	1	IGNITER SWITCH MODULE
BB	1	DOOR, NO HANDLE
CC	1	DOOR HANDLE
DD	1	CART LEFT SIDE PANEL
EE	1	CART RIGHT SIDE PANEL
FF	1	BOTTOM SHELF
GG	1	TANK SCREW, F/ BOTTOM SHELF
HH	2	CASTER, LOCKING
II	2	CASTER, FIXED
JJ	1	HARDWARE F/ TOP LID ASSEMBLY
KK	2	RUBBER BUMPER, LID
LL	1	TROUGH, FIREBOX

Not Pictured:

Key	Qty	Description
...	1	DOOR MAGNET
...	1	BENT U PIN
...	1	HARDWARE PACK
...	1	ASSEMBLY MANUAL, ENGLISH
...	1	ASSEMBLY MANUAL, SPANISH

NOTE: Some grill parts shown in the assembly steps may differ slightly in appearance from those on your particular grill model. However, the method of assembly remains the same.

PARTS DIAGRAM

