

Smoker, Roaster & Grill

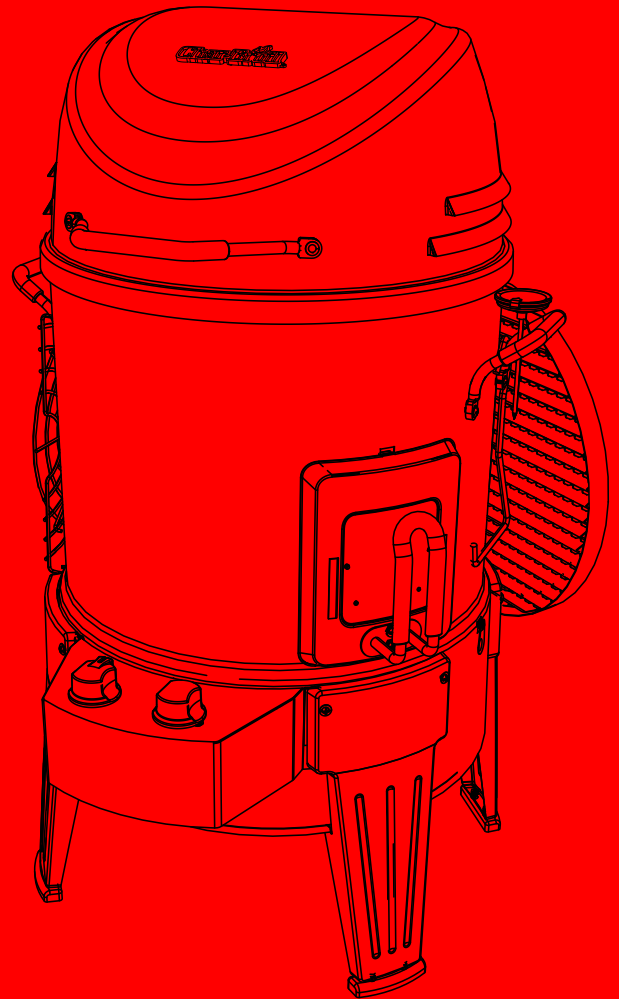
MODEL NUMBER

16102040

16102041

16102041-CH

(IE)	(GB)	Assembly Instructions	
(CH)	(FR)	Instructions d'assemblage	
(AT)	(CH)	(DE)	Montageanweisungen
(CH)	(IT)	Istruzioni per il montaggio	
(LU)	(BE)	(NL)	Montage-instructies
(SE)	Montering		
(FI)	Kokoamisohjeet		
(DK)	Monteringsvejledning		
(NO)	Imontering		
(SK)	Návod na montáž		
(IS)	Smalamálsskipana		
(CZ)	Montážní návod		



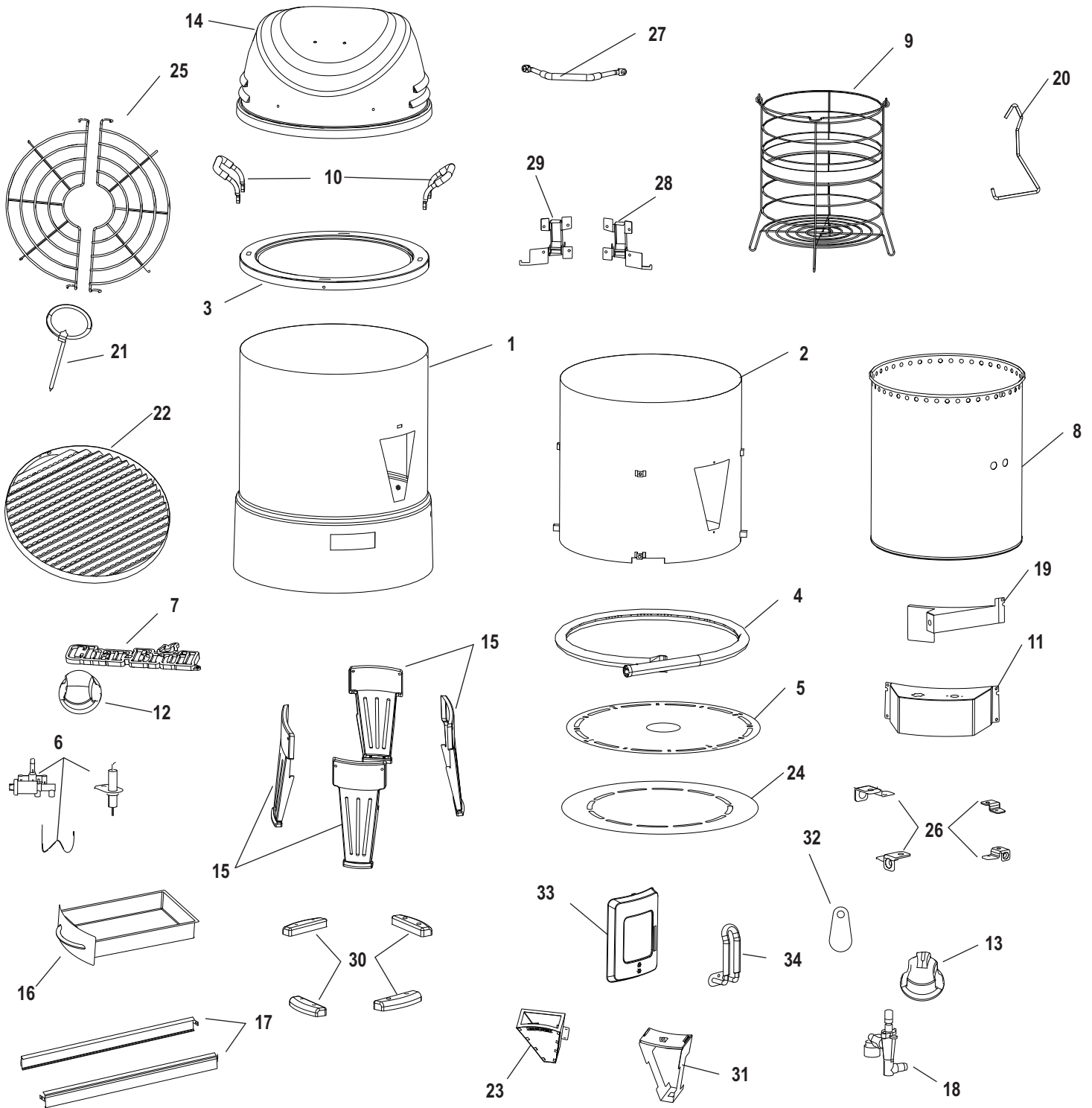
Parts List

Key	Qty	Description
1	1	OUTER BODY
2	1	INNER BODY
3	1	BODY TOP RING
4	1	BURNER
5	1	HEAT SHIELD
6	1	IGNITION KIT
7	1	LOGO PLATE
8	1	COOKING CHAMBER
9	1	ROASTER BASKET
10	2	SIDE HANDLE
11	1	CONTROL PANEL
12	1	IGNITOR KNOB
13	1	CONTROL KNOB
14	1	TOP LID
15	4	LEG ASSEMBLY
16	1	GREASE TRAY
17	2	GREASE TRAY RAIL
18	1	CONTROL VALVE ASSEMBLY
19	1	HEAT SHIELD, CONTROL PANEL
20	1	LIFT HOOK
21	1	MEAT THERMOMETER
22	1	COOKING GRATE
23	1	SMOKER BOX HOUSING
24	1	WIND SHIELD
25	1	WIRE GRATE, SET OF 2
26	4	BURNER SUPPORT
27	1	TOP HANDLE
28	1	HINGE, RIGHT
29	1	HINGE, LEFT
30	4	FOOT KIT
31	1	SMOKE BOX FRAME
32	1	MATCH LIGHT COVER
33	1	SMOKER BOX COVER
34	1	SMOKER BOX HANDLE

NOT Pictured

...	1	HARDWARE PACK
...	1	RIB HOOKS, SET OF 4
...	1	PRODUCT GUIDE, EUROPE
...	1	ASSEMBLY GUIDE, EUROPE

Parts Diagram



NOTE: Some appliance parts shown in the assembly steps may differ slightly in appearance from those on your particular model. However, the method of assembly remains the same.