

Smoker, Roaster & Grill

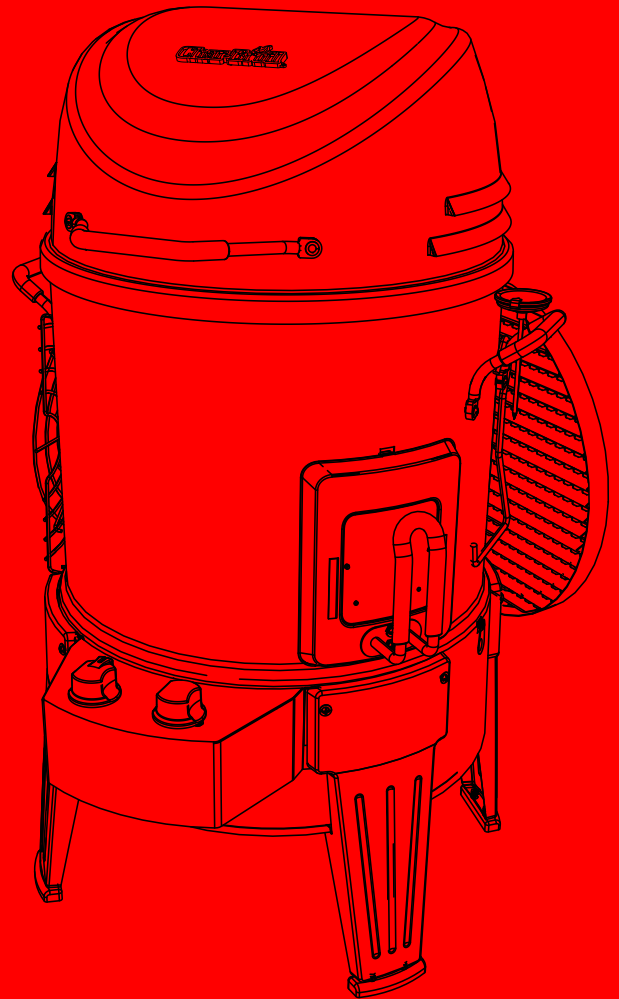
MODEL NUMBER

16102040

16102041

16102041-CH

| | | | |
|------|----------------------|-----------------------------|---------------------|
| (IE) | (GB) | Assembly Instructions | |
| (CH) | (FR) | Instructions d'assemblage | |
| (AT) | (CH) | (DE) | Montageanweisungen |
| (CH) | (IT) | Istruzioni per il montaggio | |
| (LU) | (BE) | (NL) | Montage-instructies |
| (SE) | Montering | | |
| (FI) | Kokoamisohjeet | | |
| (DK) | Monteringsvejledning | | |
| (NO) | Imontering | | |
| (SK) | Návod na montáž | | |
| (IS) | Smalamálsskipana | | |
| (CZ) | Montážní návod | | |



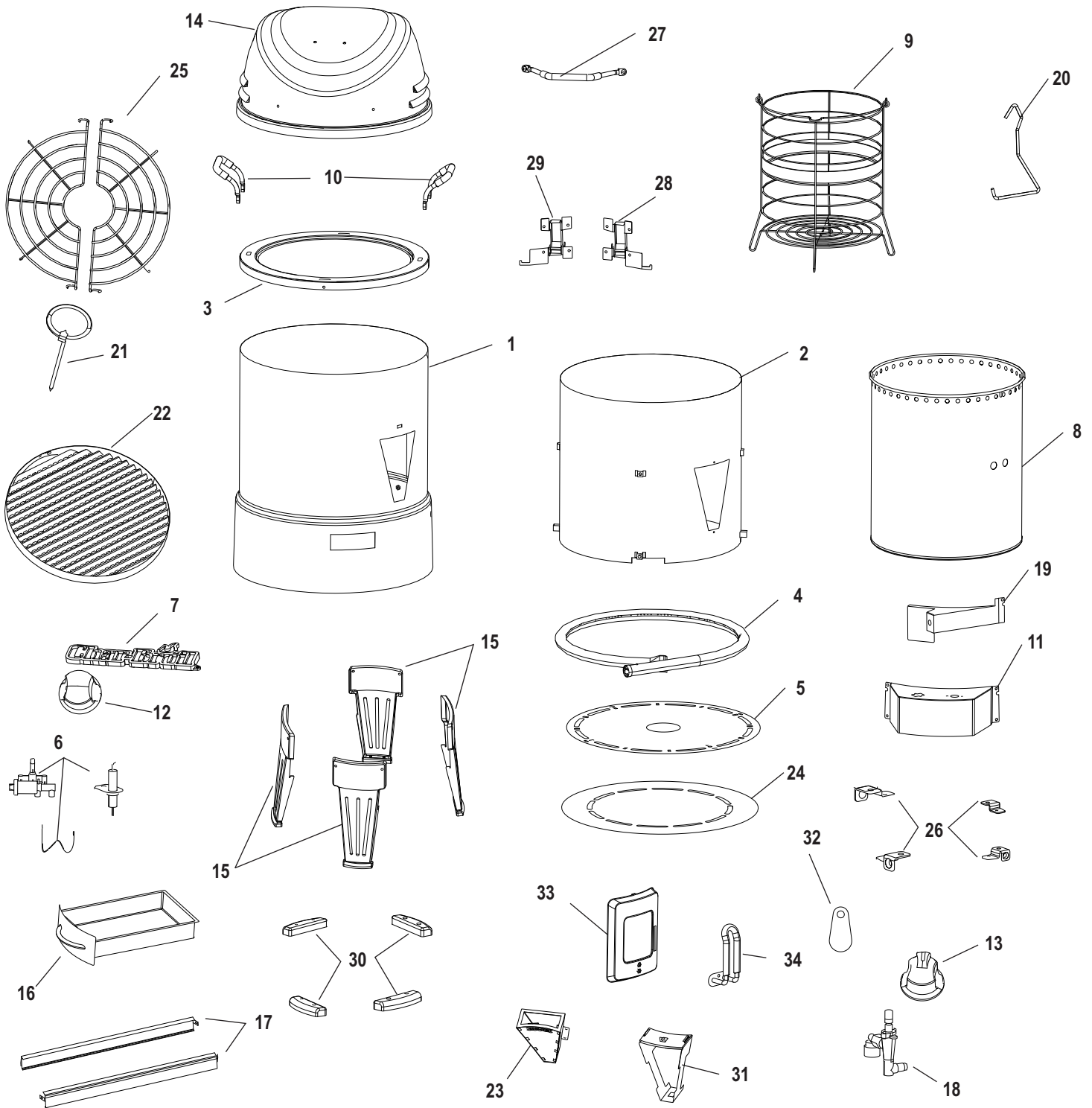
Parts List

| Key | Qty | Description |
|-----|-----|----------------------------|
| 1 | 1 | OUTER BODY |
| 2 | 1 | INNER BODY |
| 3 | 1 | BODY TOP RING |
| 4 | 1 | BURNER |
| 5 | 1 | HEAT SHIELD |
| 6 | 1 | IGNITION KIT |
| 7 | 1 | LOGO PLATE |
| 8 | 1 | COOKING CHAMBER |
| 9 | 1 | ROASTER BASKET |
| 10 | 2 | SIDE HANDLE |
| 11 | 1 | CONTROL PANEL |
| 12 | 1 | IGNITOR KNOB |
| 13 | 1 | CONTROL KNOB |
| 14 | 1 | TOP LID |
| 15 | 4 | LEG ASSEMBLY |
| 16 | 1 | GREASE TRAY |
| 17 | 2 | GREASE TRAY RAIL |
| 18 | 1 | CONTROL VALVE ASSEMBLY |
| 19 | 1 | HEAT SHIELD, CONTROL PANEL |
| 20 | 1 | LIFT HOOK |
| 21 | 1 | MEAT THERMOMETER |
| 22 | 1 | COOKING GRATE |
| 23 | 1 | SMOKER BOX HOUSING |
| 24 | 1 | WIND SHIELD |
| 25 | 1 | WIRE GRATE, SET OF 2 |
| 26 | 4 | BURNER SUPPORT |
| 27 | 1 | TOP HANDLE |
| 28 | 1 | HINGE, RIGHT |
| 29 | 1 | HINGE, LEFT |
| 30 | 4 | FOOT KIT |
| 31 | 1 | SMOKE BOX FRAME |
| 32 | 1 | MATCH LIGHT COVER |
| 33 | 1 | SMOKER BOX COVER |
| 34 | 1 | SMOKER BOX HANDLE |

NOT Pictured

| | | |
|-----|---|------------------------|
| ... | 1 | HARDWARE PACK |
| ... | 1 | RIB HOOKS, SET OF 4 |
| ... | 1 | PRODUCT GUIDE, EUROPE |
| ... | 1 | ASSEMBLY GUIDE, EUROPE |

Parts Diagram



NOTE: Some appliance parts shown in the assembly steps may differ slightly in appearance from those on your particular model. However, the method of assembly remains the same.